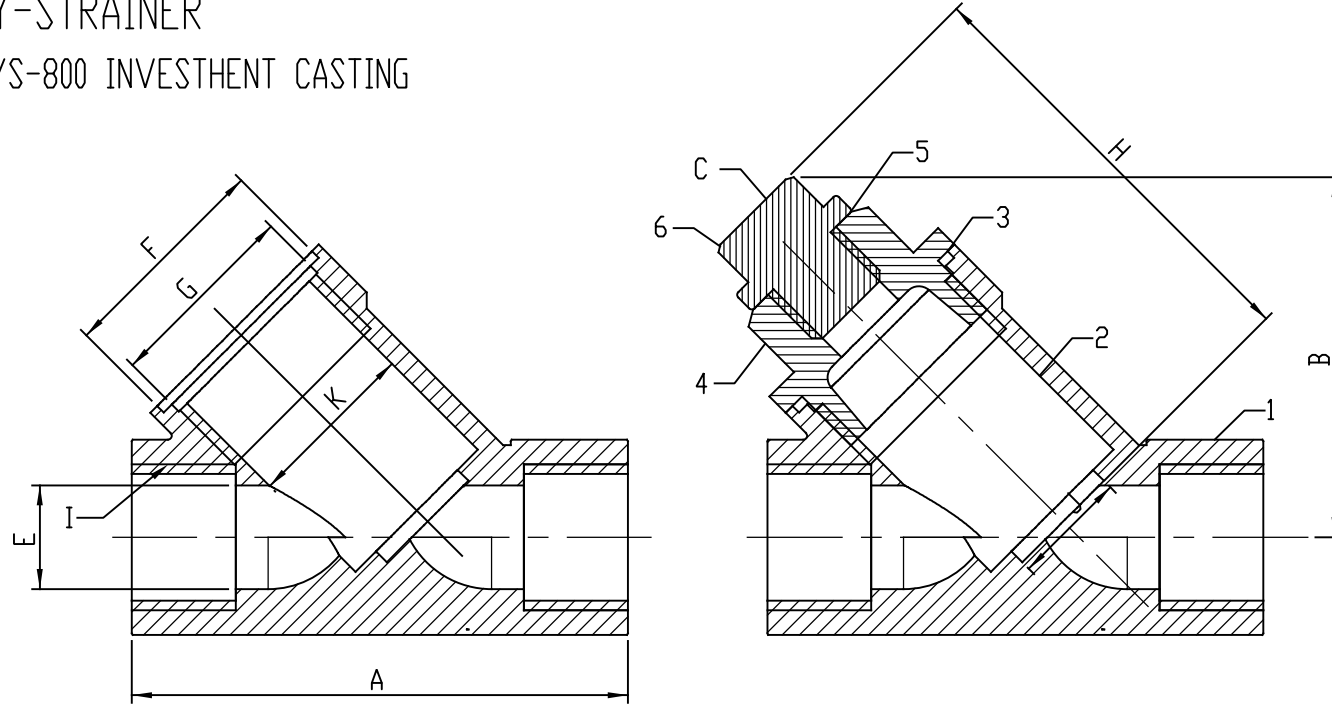


Y-STRAINER
YS-800 INVESTMENT CASTING



NO.	PARTS	MATERIAL
1	BODY	ASTM-A315-CF8M (1.4408)
2	SCREEN	AISI316 (20 MESH)
3	SEAL	TEFLON (PTFE)
4	CAP	ASTM-A351-CF8M (1.4408)
5	SEAL	TEFLON (PTFE)
6	PLUG	ASTM A-351-CF8M

SIZE	A	B	C	E	F	G	H	I	J	K	WEIGHT(LBS)
1/4"	2.539	1.624	1/4" NPT	0.689	1.122	1.004	1.476	NPT	0.591	0.886	0.653
3/8"											0.558
1/2"											0.527
3/4"	3.130	1.987	1/2" NPT	0.925	1.319	1.201	1.890	PT	0.787	1.102	0.873
1"											1.627
1-1/4"											1.889
1-1/2"	4.685	3.169	1/2" NPT	1.693	2.126	1.988	2.874	PF	1.575	1.890	2.718
2"											4.385
2-1/2"											10.536
3"	7.953	5.498		3.228	4.024	3.858	4.882	SW	3.150	3.386	14.756

Note : 1. Operating Pressure CLASS 800 = 1920 PSI
 2. Y-STRAINER max working temperature:
 Constantly temperature = 212 ° F
 Flash high temperature = 500 ° F

項目 ITEM		更改內容 DESCRIPTION			日期 DATE	更改者 CHK	確認者 APP	名稱 DWGNAME	Y-STRAINER ALL SIZE	品號 DWG NO.	034-E108(YS-800)					單位 UNIT	inch	製圖 DWN	SAMMI	
								JFW INDUSTRIES INC	一般公差 TOL.	0.5-6	6-30	30-120	120-400	400-1000	角度 ANG. TOL	± 0.5 °	比例 SCALE	---	審核 CHK	
										± 0.05	± 0.1	± 0.15	± 0.2	± 0.3	材質 MATERIAL		核准 APP			
															版本 REV.	01	日期 DATE	109.03.26		