

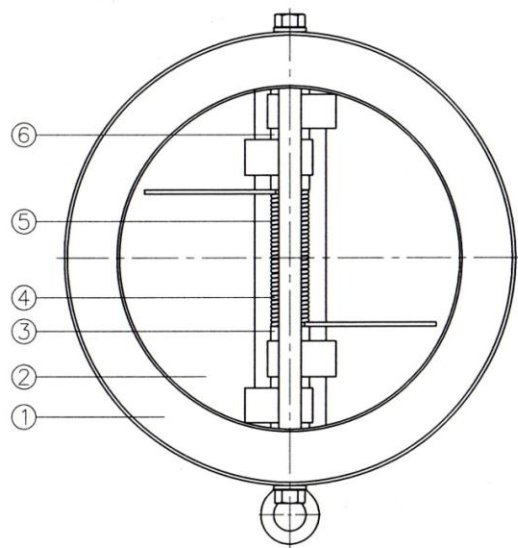
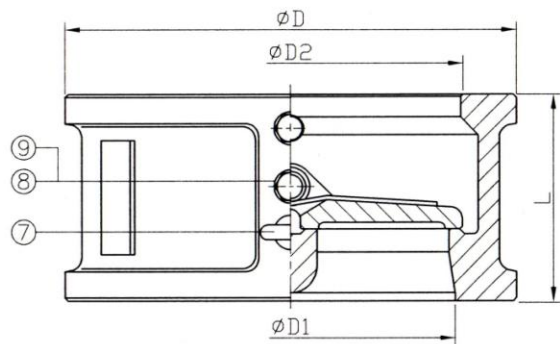
Ra	0.2	▽
▽	1.6	▽
▽	6.3	▽
▽	25	▽
▽	100	▽

GENERAL TOLERANCE	±0.1
	±0.2
	±0.3
	±0.5
	±0.8

E-mail: jfwvalve@comcast.net
 Tel: 1 503 288 0673
 Fax: 1 503 288 1075

JFW INDUSTRIES, INC.
 6731 N.E. 47TH PORTLAND,
 OREGON 97218 U.S.A.

JFW INDUSTRIES, INC.



DN	D	D1	D2	L	Weight (kg)
50	103	51	56	60	2
80	135	80	88	73	3
100	173	102	108	73	5
150	220	152	160	98	12
200	277	203	210	127	24
250	337	254	265	146	38
300	407	305	310	181	62

unit:mm

NPS	D	D1	D2	L	Weight (lb)
2"	4.06	2.01	2.2	2.36	4.4
3"	5.31	3.15	3.46	2.87	6.6
4"	6.81	4.02	4.25	2.87	11
6"	8.66	5.98	6.3	3.86	26.5
8"	10.91	7.99	8.27	5	52.9
10"	13.27	10	10.43	5.75	83.8
12"	16.02	12.01	12.2	7.13	136.7

unit:in

ITEM	PARTS	MATERIAL
1	BODY	ASTM A351-CF8M
2	DISC	
3	SPRING PLATE	ASTM A182-F316
4	SPRING	
5	SHAFT	PTFE
6	BEARING	
7	LIFTING RING	ASTM A29-1035
8	PLUG	ASTM A182-F316
9	GASKET	

- FEATURE :
- Face to Face Dimension : API 594
 - End Flange Dimension : ASME B16.5
 - Basic Design : API 594
 - Test Standard : API 598

△	Add weight	02/23/2016	Ray
△	Revised spring material	10/14/2015	Ray
△	Add 10" & 12" dimension	10/14/2015	Ray
Revise	Description	Date	Approve

CHECK BY	DRAWING BY	DATE	SPECIFICATION	Wafer Type Dual Plate Check Valve Class 150
	<i>Sammy</i>	Feb.23.2016	MATERIAL	CF8M
			PROCESS/Nr.	
			UNIT / SCALE	MM

DRAWING NO. **WC-150 - 16**