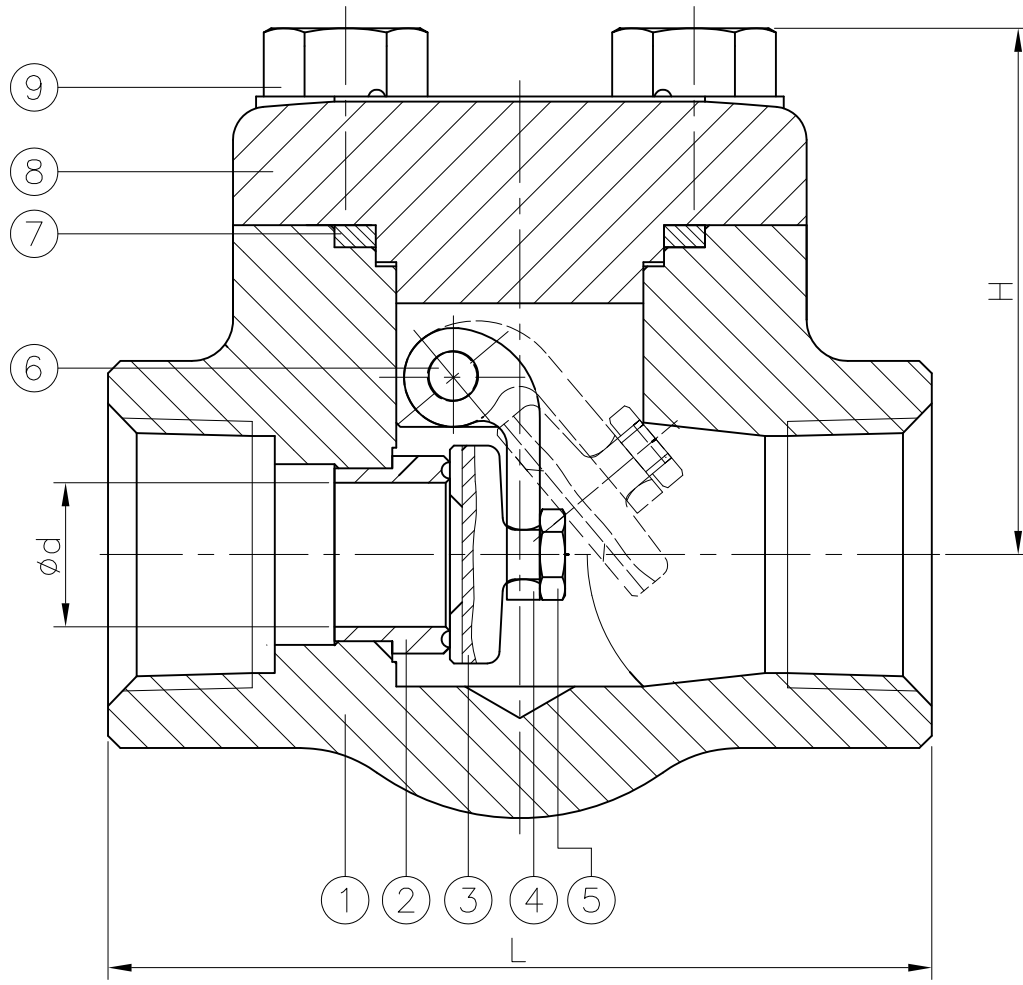


Ra	0.2	1.6	6.3	25
	▽▽▽	▽▽	▽	▽
JIS				
±0.1	±0.2	±0.3	±0.5	±0.8
0.5~5	6~30	31~120	121~320	321~1000
GENERAL TOLERANCE				

JFW INDUSTRIES, INC.  
 6731 N.E. 47TH PORTLAND, OREGON 97218 U.S.A.  
 E-mail: jfwvalve@comcast.net  
 Tel: 1 503 288 0673  
 Fax: 1 503 288 1075

**JFW INDUSTRIES, INC.**



**FEATURES :**

- Design & manufacture : API 602
- Temp. & pressure : ASME B16.34
- NPT dimensions : ASME B1.20.1
- Test & inspection : API 598
- The disc to be at 8 o'clock

DN	d	L	H	Weight (kg)
15	9.5	73	53	1
20	13	80	56	1.2
25	17.5	100	65	2
32	24	114	80	3.2
40	29	120	90	4.2
50	36.5	130	105	6.2

NPS	d	L	H	Weight (lb)
1/2"	0.37	2.87	2.09	2.2
3/4"	0.51	3.15	2.2	2.6
1"	0.69	3.94	2.56	4.5
1-1/4"	0.94	4.49	3.15	7.1
1-1/2"	1.14	4.72	3.54	9.3
2"	1.44	5.12	4.13	13.7

SIZE	Cv (gallon/min)
1/2"	3
3/4"	8
1"	13
1-1/4"	20
1-1/2"	34
2"	58

ITEM	PARTS	MATERIAL
1	BODY	ASTM A182-F316
2	SEAT	ASTM A276-316
3	DISC	
4	HINGE	ASTM A351-CF8M
5	NUT	ASTM A194-8M
6	PIN	ASTM A276-316
7	GASKET	316+GRAPHITE
8	BONNET	ASTM A182-F316
9	BOLT	ASTM A193-B8M

△	Add dimension	5/04/2018	Ray
△	Add Cv	3/07/2016	Ray
△	Add weight	2/05/2016	Ray
Revise	Description	Date	Approve

CHECK BY	DRAWING BY	DATE	SPECIFICATION	Forge Type Screwed End Swing Check Valve Class 800
	<i>Yuan</i>	May.04.2018	MATERIAL	F316
			PROCESS/Nr.	
			UNIT / SCALE	mm

DRAWING NO. **SC-800-18**