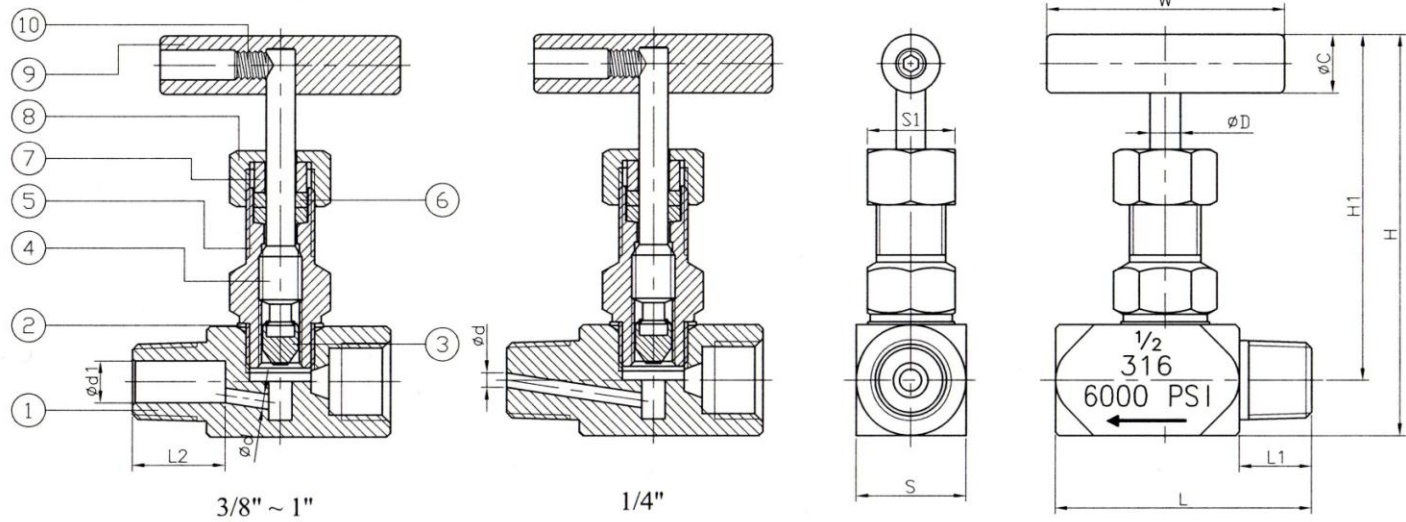


| | | | | |
|------|----------|---|-----|-----|
| ±0.1 | 0.5-5 | ▽ | 0.2 | Ra |
| ±0.2 | 6-30 | ▽ | 1.6 | ▽ |
| ±0.3 | 31-120 | ▽ | 6.3 | ▽ |
| ±0.5 | 121-1000 | ▽ | 25 | ▽ |
| ±0.8 | | ▽ | ▽ | JIS |

JFW INDUSTRIES, INC.
 6731 N.E. 47TH PORTLAND, OREGON 97218 U.S.A.
 E-mail: jfwvalve@comcast.net
 Tel: 1 503 288 0673
 Fax: 1 503 288 1075



| DN | d | d1 | L | L1 | L2 | H | H1 | W | S | S1 | C | D | Torque (N-M) | Weight (kg) |
|----|---|----|----|------|------|-----|-----|----|----|----|----|----|--------------|-------------|
| 8 | 3 | - | 52 | 15 | - | 80 | 69 | 60 | 22 | 21 | 13 | 7 | 1.4 | 0.3 |
| 10 | 4 | 10 | 55 | 15 | 17 | 85 | 73 | 60 | 25 | 21 | 13 | 7 | 1.4 | 0.3 |
| 15 | 5 | 12 | 65 | 20 | 20 | 110 | 95 | 65 | 30 | 24 | 16 | 8 | 1.7 | 0.6 |
| 20 | 5 | 15 | 70 | 20 | 22 | 115 | 98 | 65 | 35 | 24 | 16 | 8 | 1.7 | 0.7 |
| 25 | 7 | 20 | 85 | 23.5 | 25.5 | 129 | 106 | 80 | 46 | 30 | 19 | 10 | 2.2 | 1.4 |

unit:mm

| NPS | d | d1 | L | L1 | L2 | H | H1 | W | S | S1 | C | D | Torque (in-lb) | Weight (lb) |
|------|------|------|------|------|------|------|------|------|------|------|------|------|----------------|-------------|
| 1/4" | 0.12 | - | 2.05 | 0.59 | - | 3.15 | 2.72 | 2.36 | 0.87 | 0.83 | 0.51 | 0.28 | 12.4 | 0.6 |
| 3/8" | 0.16 | 0.39 | 2.17 | 0.59 | 0.67 | 3.35 | 2.87 | 2.36 | 0.98 | 0.83 | 0.51 | 0.28 | 12.4 | 0.7 |
| 1/2" | 0.2 | 0.47 | 2.56 | 0.79 | 0.79 | 4.33 | 3.74 | 2.56 | 1.18 | 0.94 | 0.63 | 0.31 | 14.7 | 1.2 |
| 3/4" | 0.2 | 0.59 | 2.76 | 0.79 | 0.87 | 4.53 | 3.86 | 2.56 | 1.38 | 0.94 | 0.63 | 0.31 | 14.7 | 1.5 |
| 1" | 0.28 | 0.79 | 3.35 | 0.93 | 1 | 5.08 | 4.17 | 3.15 | 1.81 | 1.18 | 0.75 | 0.39 | 19.2 | 3.1 |

unit:in

| ITEM | PARTS | MATERIAL |
|------|--------------|---------------------|
| 1 | BODY | SS 316 CARBON STEEL |
| 2 | BODY SEAL | PTFE |
| 3 | DISC | SS 316 |
| 4 | STEM | SS 316 |
| 5 | BONNET | SS 316 CARBON STEEL |
| 6 | PARKING | PTFE |
| 7 | GLAND | SS 316 |
| 8 | PACKING NUT | SS 316 S15C |
| 9 | HANDLE | SS 410 |
| 10 | FIXING SCREW | ALLOY STEEL |

JFW INDUSTRIES, INC.

| | | | |
|----------|------------|-------------|------------------------------|
| CHECK BY | DRAWING BY | DATE | SPECIFICATION |
| | Jummy | Mar.01.2016 | Needle Valve M/F 6000 PSI |
| | | | MATERIAL SS 316/CARBON STEEL |
| | | | PROCESS/Nr. |
| | | | UNIT / SCALE mm |

| | | | |
|---------------------------|---------------------|------------|---------|
| △ | | | |
| △ | Add torque & weight | 03/01/2016 | Ray |
| △ | Revise Description | Date | Approve |
| DRAWING NO. N-6000-MF -16 | | | |