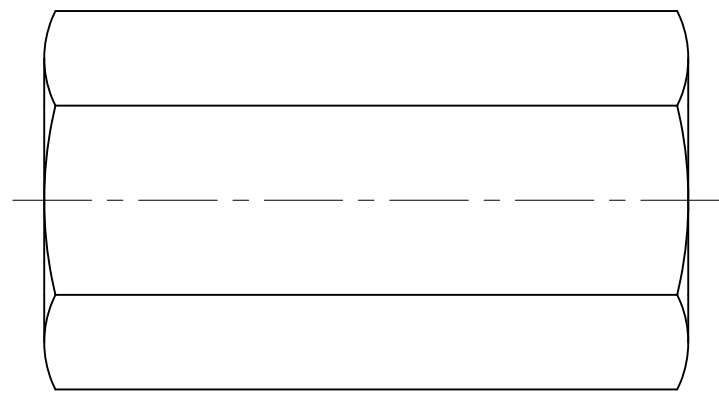


JFW INDUSTRIES, INC.
 6731 N.E. 47TH PORTLAND,
 OREGON 97218 U.S.A.
 E-mail: jfwvalve@comcast.net
 Tel: 1 503 288 0673
 Fax: 1 503 288 1075



△

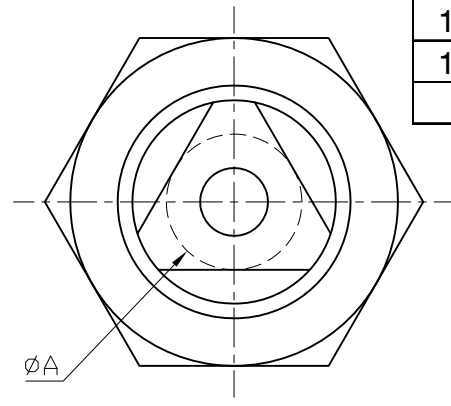
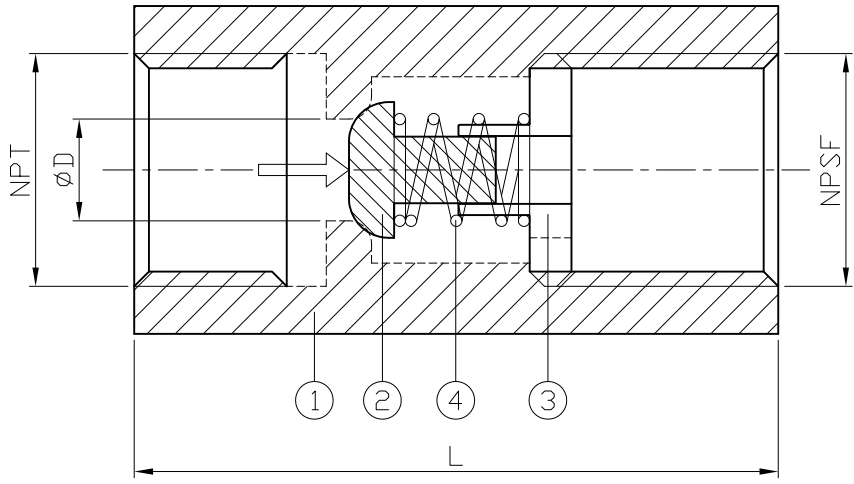
SIZE	Cv (gallon/min)
1/4"	1.5
3/8"	2.1
1/2"	2.7
3/4"	4.6
1"	5.6
1-1/4"	7.4
1-1/2"	9.3
2"	11.9

ITEM	PARTS	MATERIAL
1	BODY	SUS 316
2	DISC	
3	GUIDE CAP	ASTM A351-CF8M
4	SPRING	SUS 316

△

SIZE	D	A	L	Weight (lb)
1/4"	0.2	0.31	1.73	0.2
3/8"	0.28	0.43	1.89	0.3
1/2"	0.35	0.47	2.24	0.4
3/4"	0.49	0.63	2.76	1.1
1"	0.59	0.79	3.39	1.4
1-1/4"	0.79	0.94	3.7	2.4
1-1/2"	0.98	1.14	3.78	2.6
2"	1.26	1.5	4.49	4.5

unit:in



△

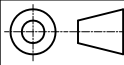
Opening Pressure STD In PSI

NPS	PSI
1/4"	2
3/8"	2
1/2"	2
3/4"	3
1"	3
1-1/4"	3
1-1/2"	3
2"	3

△	Revise opening pressure date	09/30/2021	Louis
△	Add Cv	3/08/2016	Ray
△	Add weight	2/04/2016	Ray
Revise	Description	Date	Approve

JFW INDUSTRIES, INC.

CHECK BY	DRAWING BY	DATE	SPECIFICATION	Spring Vertical Check Valve 2000 WOG
	<i>Yuan</i>	Sep.30.2021	MATERIAL	SUS 316
			PROCESS/Nr.	
			UNIT / SCALE	mm



DRAWING NO.

ILC-2M-21