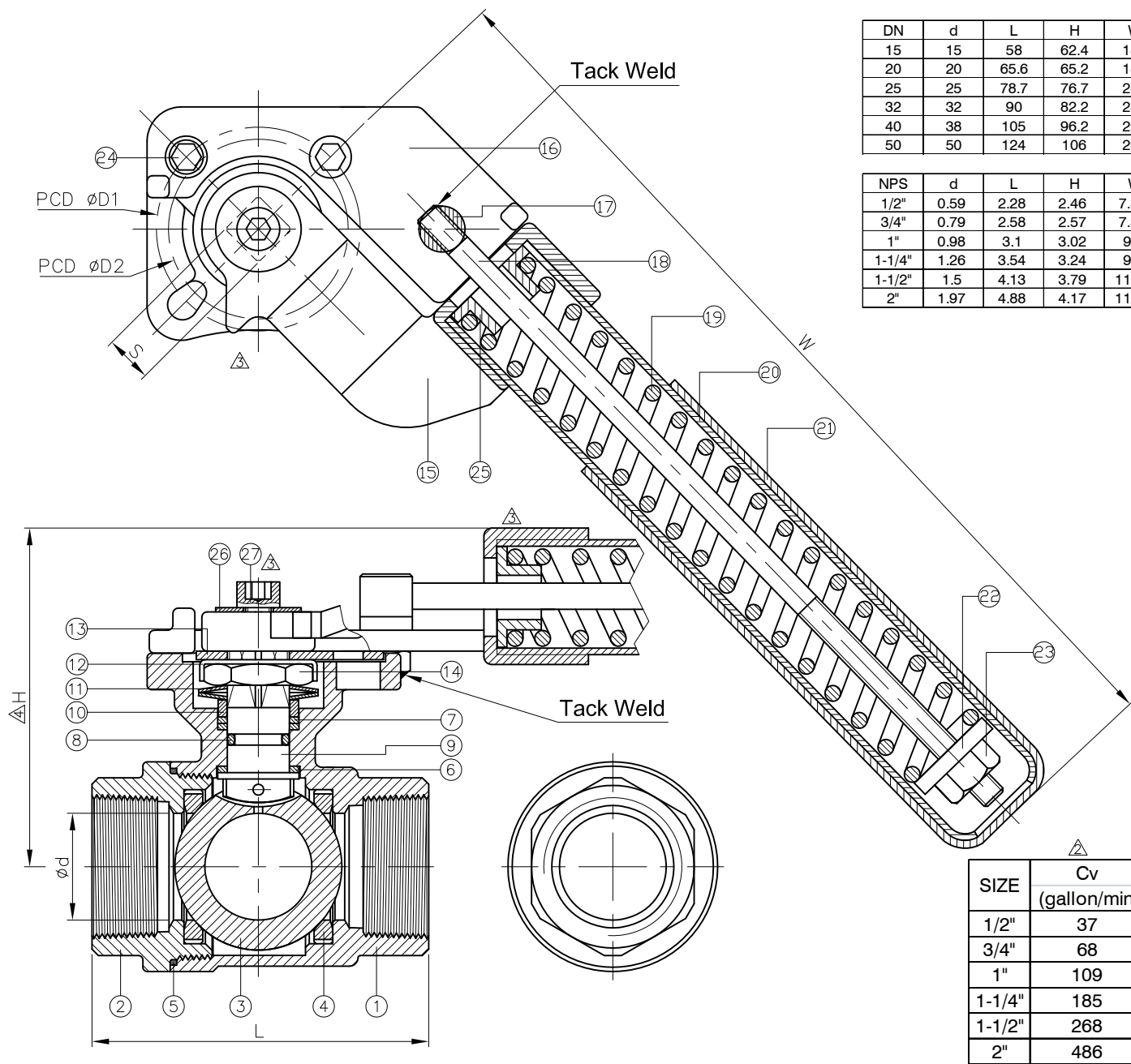


Ra  
0.2  
1.6  
6.3  
25

± 0.1  
0.5~5  
6~30  
31~120  
121~320  
321~1000  
± 0.2  
± 0.3  
± 0.5  
± 0.8  
GENERAL TOLERANCE

JFW INDUSTRIES, INC.  
6731 N.E. 47TH PORTLAND, OREGON 97218 U.S.A.  
E-mail: jfwvalve@comcast.net  
Tel: 1 503 288 0673  
Fax: 1 503 288 1075



DN	d	L	H	W	S	D1	D2	ISO 5211	Torque (N-M)	Weight (kg)
15	15	58	62.4	187	9	42	36	F03/F04	7	0.7
20	20	65.6	65.2	187	9	42	36	F03/F04	7	0.8
25	25	78.7	76.7	249	11	50	42	F04/F05	12	1.6
32	32	90	82.2	249	11	50	42	F04/F05	12	2
40	38	105	96.2	298	14	70	50	F05/F07	20	2.9
50	50	124	106	298	14	70	50	F05/F07	20	3.8

unit:mm

NPS	d	L	H	W	S	D1	D2	ISO 5211	Torque (in-lb)	Weight (lb)
1/2"	0.59	2.28	2.46	7.36	0.35	1.65	1.42	F03/F04	62	1.6
3/4"	0.79	2.58	2.57	7.36	0.35	1.65	1.42	F03/F04	62	1.8
1"	0.98	3.1	3.02	9.8	0.43	1.97	1.65	F04/F05	106.2	3.5
1-1/4"	1.26	3.54	3.24	9.8	0.43	1.97	1.65	F04/F05	106.2	4.4
1-1/2"	1.5	4.13	3.79	11.73	0.55	2.76	1.97	F05/F07	177	6.4
2"	1.97	4.88	4.17	11.73	0.55	2.76	1.97	F05/F07	177	8.4

unit:in

ITEM	PARTS	MATERIAL
1	BODY	ASTM A351-CF8M
2	CAP	
3	BALL	
4	SEAT	RTFE
5	SEAL	PTFE
6	THRUST WASHER	
7	PACKING	VITON
8	O-RING	
9	STEM	ASTM A276-316
10	GLAND RING	AISI 304
11	BELLEVILLE WASHER	AISI 301
12	LOCK WASHER	AISI 304
13	STOPPER	
14	STEM NUT	
15	HANDLE HEAD	ASTM A351-CF8
16	STOPPER	AISI 304
17	SCREW	
18	SPRING ROD	55CRSI
19	SPRING	AISI 304
20	STEEL TUBE	PVC
21	HANDLE SLEEVE	AISI 304
22	FLAT WASHER	
23	HEX NUTS	NYLON
24	BOLT	
25	TRUNNION SEAT	
26	FLAT WASHER	AISI 304
27	BOLT	

SIZE	Cv (gallon/min)
1/2"	37
3/4"	68
1"	109
1-1/4"	185
1-1/2"	268
2"	486

Symbol	Description	Date	Approve
△	Revise H symbol	4/17/2018	Ray
△	Revise drawing & parts	4/17/2018	Ray
△	Add Cv	3/03/2016	Ray
△	Add weight & torque	2/03/2016	Ray

JFW INDUSTRIES, INC.

CHECK BY	DRAWING BY	DATE	SPECIFICATION	2-PC Screwed End Ball Valve 1000 WOG
	Sean	Apr.17.2018	MATERIAL	CF8M
			PROCESS/Nr.	
			UNIT / SCALE	mm

DRAWING NO. **BV-002-SR-18**