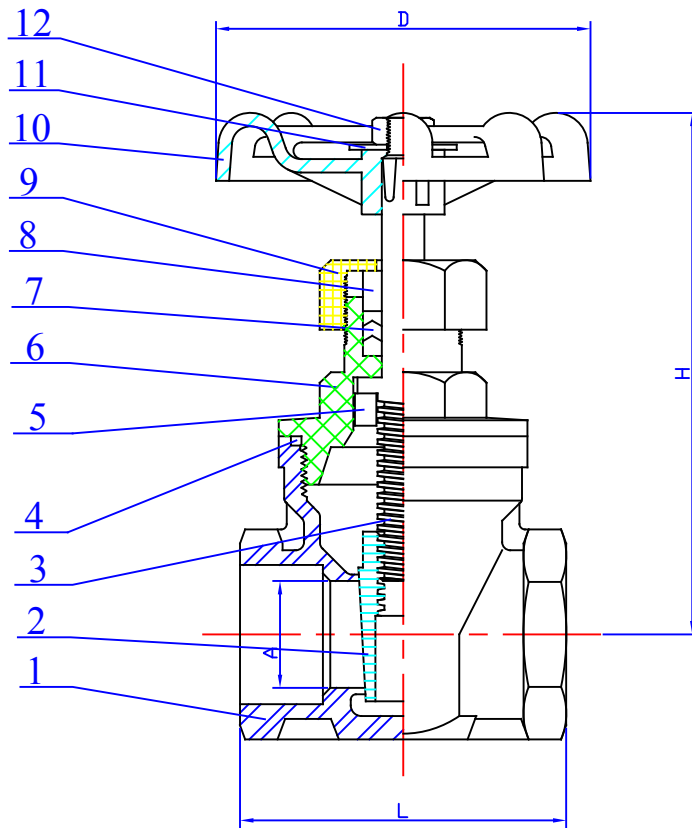


REVISE	DATE	APPROVED	REVISE	DATE	APPROVED



SIZE	1/2"	3/4"	1"	1-1/4"	1-1/2"	2"
A	0.591	0.787	0.984	1.26	1.575	1.969
H	3.74	3.78	4.449	5.039	5.866	6.575
L	2.165	2.402	2.598	2.992	3.386	3.74
D	2.48	2.756	3.15	3.15	3.543	3.937
W(LB)	0.95	1.21	1.57	2.36	3.28	4.78
TORQUE(IN-LB)	4	4	5	5	6	8

NO.	DESCRIPTION	MATERIAL	QTY
1	BODY	CF8M	1
2	DISC	CF8M	1
3	STEM	SUS316	1
4	GASKET	PTFE	1
5	STEM HOLDER	SUS304	1
6	BONNET	CF8M	1
7	STEM PACKING	PTFE	1
8	GLAND	SUS304	1
9	GLAND NUT	CF8M	1
10	HANDLEWHEEL	DUCT IRON	1
11	NAME PLATE	ALUMINUM	1
12	HANDLEWHEEL NUT	SUS304	1

TOLERANCE						DRAWING NO.
0.5~6	6~30	30~120	120~315	315~1000	1000~	DESCRIPTION
±0.1	±0.2	±0.3	±0.5	±0.8	±1.2	
APPROVED BY		DRAWN BY		MATERIAL		GT-200SW
		SAMMI				
		3,23,'20		SCALE:FREE		
						JFW INDUSTRIES INC