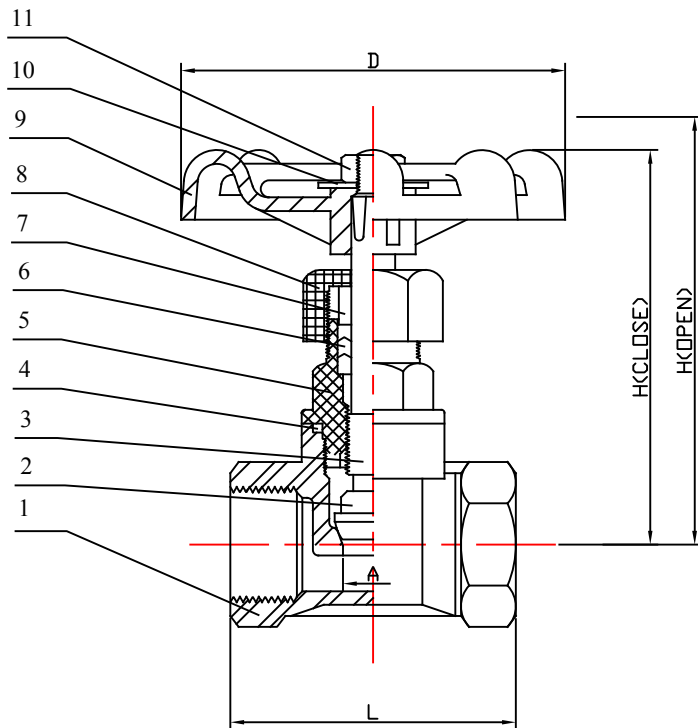


REVISE	DATE	APPROVED	REVISE	DATE	APPROVED



SIZE	1/2"	3/4"	1"	1-1/4"	1-1/2"	2"
A	0.472	0.591	0.787	0.984	1.26	1.575
H(CLOSE)	2.992	3.346	3.622	4.094	4.921	5.472
H(OPEN)	3.228	3.661	4.094	4.646	5.551	6.299
L	2.047	2.362	2.835	3.189	3.543	3.976
D	2.756	2.756	3.15	3.15	3.543	3.937
W(LB)	0.57	0.97	1.32	2.12	2.69	3.88
TORQUE(IN-LB)	3	3	4	4	5	5

NO.	DESCRIPTION	MATERIAL	Q'TY
1	BODY	CF8M	1
2	DISC	SUS316	1
3	STEM	SUS316	1
4	GASKET	TEFLON	1
5	BONNET	CF8M	1
6	STEM PACKING	TEFLON	1
7	GLAND	SUS304	1
8	GLAND NUT	CF8M	1
9	HANDLEWHEEL	MICO STEEL	1
10	NAME PLATE	ALUMINUM	1
11	HANDLEWHEEL NUT	SUS304	1

TOLERANCE						DRAWING NO.
0.5~6	6~30	30~120	120~315	315~1000	1000~	DESCRIPTION
±0.1	±0.2	±0.3	±0.5	±0.8	±1.2	
APPROVED BY		DRAWN BY		MATERIAL		GB-200
		SAMMI				
		3,23,'20		SCALE:FREE		
						JFW INDUSTRIES INC