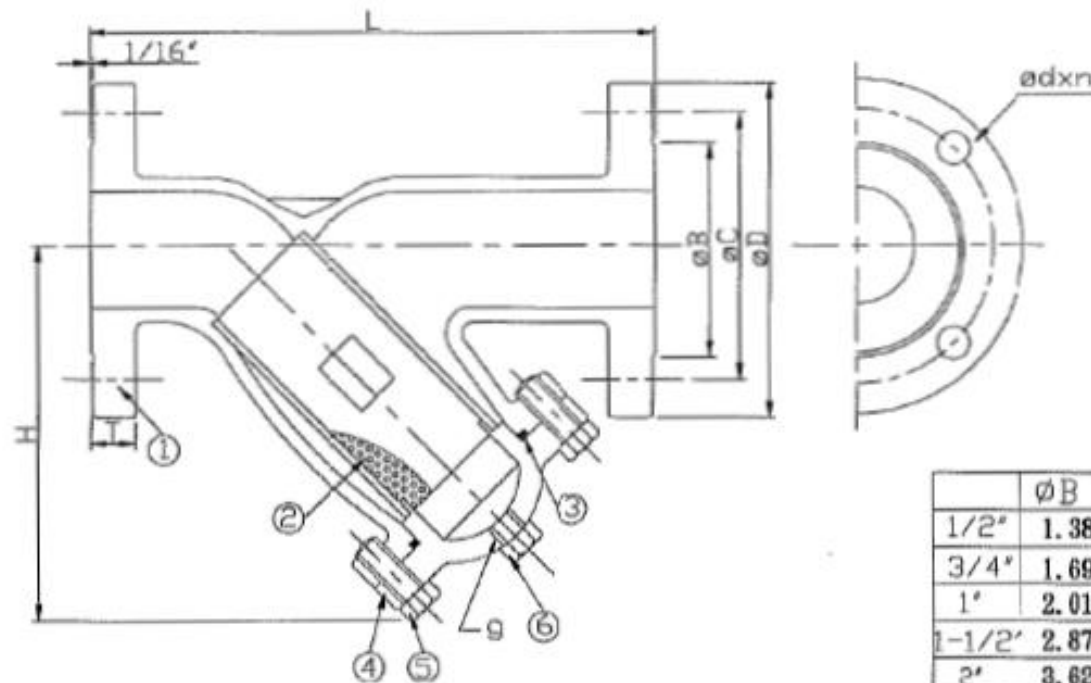


Fig No: YS-150



## 150LBS Y-STRAINER

	$\phi B$	$\phi C$	$\phi D$	$\phi d$	g	H	L	n	T
1/2"	1.38	2.38	3.50	0.59		2.76	5.98	0.16	0.44
3/4"	1.69	2.76	3.86	0.59		3.07	7.44	0.16	0.44
1"	2.01	3.13	4.25	0.59		3.62	7.44	0.16	0.44
1-1/2"	2.87	3.88	5.00	0.59		4.29	7.13	0.16	0.56
2"	3.62	4.74	5.08	0.75	1/2	5.75	8.43	0.16	0.83
2-1/2"	4.13	5.49	7.01	0.75	3/4	7.09	10.28	0.16	0.69
3"	5.00	6.00	7.48	0.75	1	7.87	11.61	0.16	0.75
4"	6.18	7.50	9.02	0.75	1-1/2	9.45	14.21	0.31	0.94
5"	7.32	8.50	10.00	0.87	0.08	11.81	18.50	0.31	0.94
6"	8.50	9.51	10.98	0.87	0.08	13.39	18.46	0.31	1.00
8"	10.63	11.75	13.50	0.87	0.08	18.11	24.92	0.31	1.13
10"	12.76	14.25	15.98	0.98	0.08	19.49	26.10	0.47	1.19
12"	15.00	17.01	19.62	0.98	0.08	22.64	30.39	0.47	1.25

NO	PART NAME	MATERIAL		Q'TY
		Stainless Steel	Carbon Steel	
1	Body	ASTM A351 Gr.CF8M	ASTM A216 Gr.WCB	1
2	Screen	SUS 304	SUS 304	1
3	Gasket	Non-Asbestos	Non-Asbestos	1
4	Cap	ASTM A351 Gr.CF8M	ASTM A216 Gr.WCB	1
5	Bolt	ASTM A193 B8	ASTM A193 B7	1
6	Blow Off Plug	ASTM A351 Gr.CF8	ASTM A261 Gr.WCB	1

( "H" SIZE REFERENCE USE )  $\pm 0.10$  inch FOR REFERENCE ONLY

# J. F. W. INDUSTRIES, INC.

DRAWING BY: Sammi