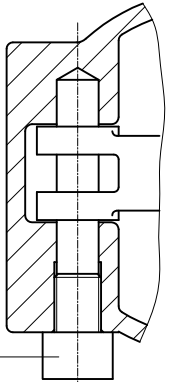


Ra	0.2	JIS
	1.6	
	6.3	
	25	

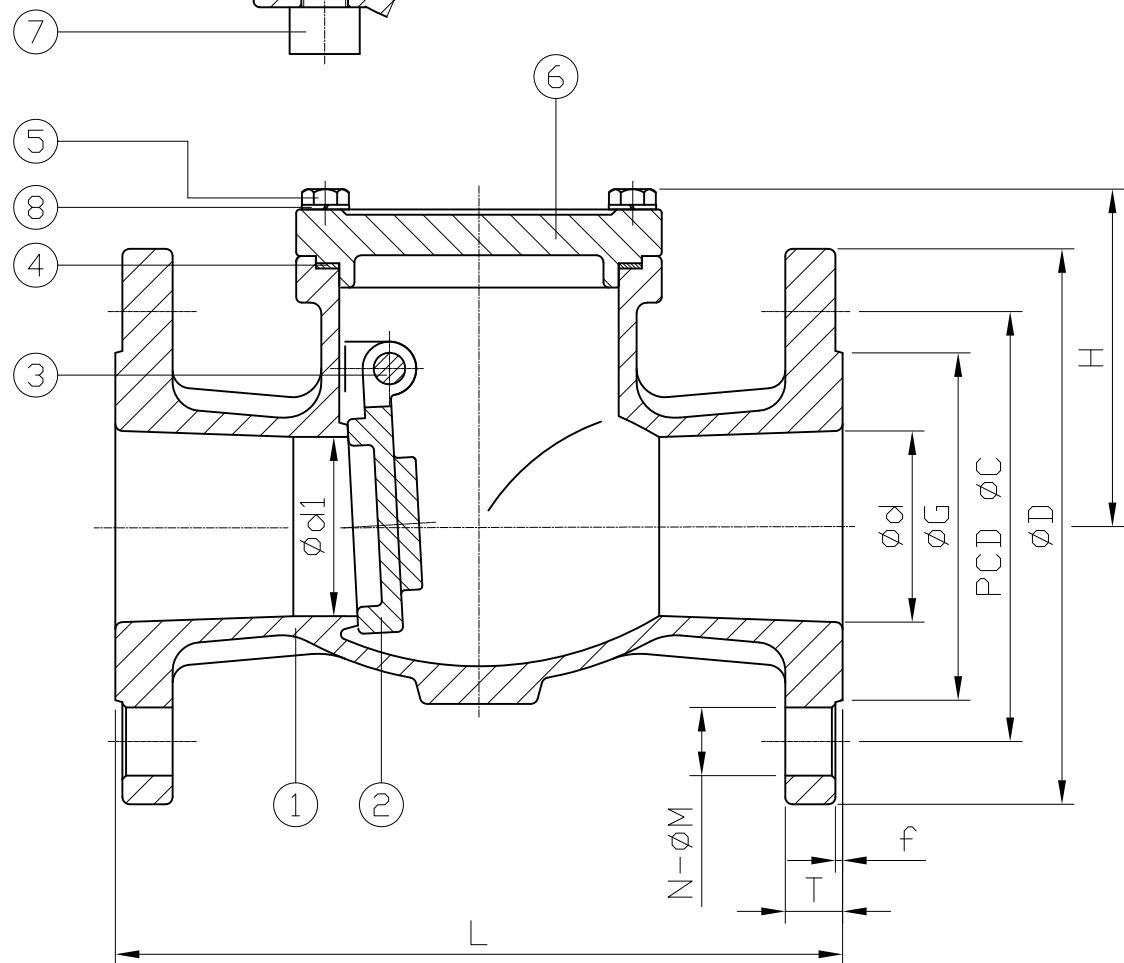
GENERAL TOLERANCE	± 0.1	± 0.2	± 0.3	± 0.5	± 0.8
	0.5~5	6~30	31~120	121~320	321~1000

JFW INDUSTRIES, INC.  
 6731 N.E. 47TH PORTLAND, OREGON 97218 U.S.A.  
 E-mail: jfwvalve@comcast.net  
 Tel: 1 503 288 0673 Fax: 1 503 288 1075



NPS	d	d1	G	C	D	L	H	T	f	N	M	Weight (lb)
1/2"	0.77	0.59	1.38	2.38	3.5	4.25	2.01	0.44	0.06	4	0.63	3.5
3/4"	1	0.79	1.69	2.76	3.86	4.61	2.13	0.44	0.06	4	0.63	4.3
1"	1.06	0.98	2.01	3.13	4.25	5	2.52	0.44	0.06	4	0.63	5.6
1-1/4"	1.4	1.26	2.52	3.52	4.61	5.51	2.68	0.5	0.06	4	0.63	7.2
1-1/2"	1.77	1.57	2.87	3.88	5	6.5	2.95	0.56	0.06	4	0.63	10.3
2"	2.13	1.97	3.62	4.74	5.98	7.99	3.86	0.63	0.06	4	0.75	17.3

unit:in



ITEM	PARTS	MATERIAL	
1	BODY	ASTM A351-CF8M	ASTM A351-CF8
2	DISC		
3	HINGE PIN	SUS 316	SUS 304
4	GASKET	PTFE	
5	BOLT	SUS 304	
6	BONNET	ASTM A351-CF8M	ASTM A351-CF8
7	BOLT	SUS 304	
8	SPRING WASHER	SUS 304	

- FEATURES :
- Face to face dimension : ASME B16.10
  - End flange dimensions : ASME B16.5
  - Design : ASME B16.34
  - Test : API 598
  - Investment casting body

SIZE	Cv (USgal/min)
1/2"	21
3/4"	37
1"	48
1-1/2"	55
2"	76

△			
△	Remove DN dimension & add Cv value	03/26/2020	Yuan
△	Revise drawings	03/02/2020	Ray
Revise	Description	Date	Approve

JFW INDUSTRIES, INC.

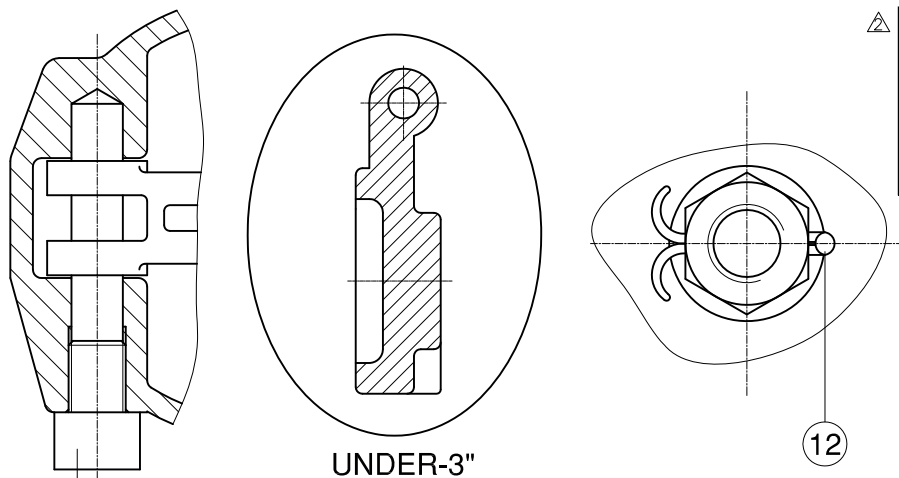
CHECK BY	DRAWING BY	DATE	SPECIFICATION	Flanged End Swing Check Valve Class 150
	Yuan	Mar.02.2020	MATERIAL	CF8M/CF8
			PROCESS/Nr.	
			UNIT / SCALE	mm

DRAWING NO. **SC-150**

Ra	0.2	1.6	6.3	25
JIS	▽▽▽	▽▽	▽	▽

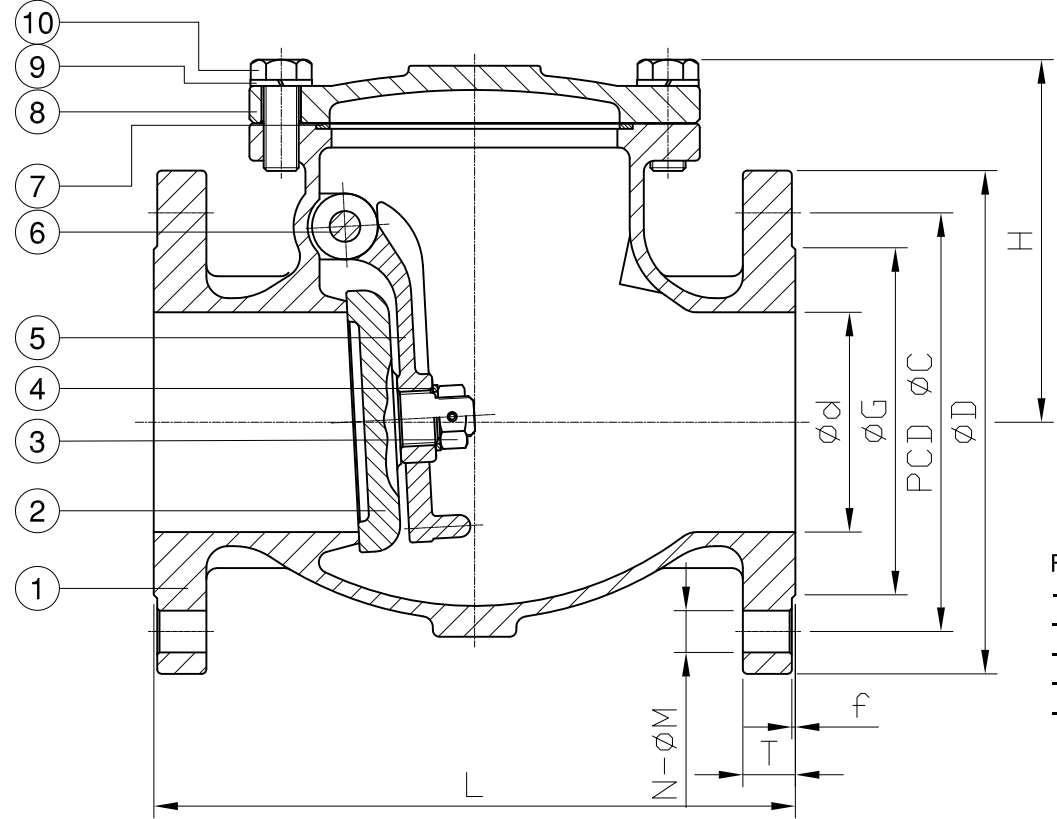
GENERAL TOLERANCE	±0.1	±0.2	±0.3	±0.5	±0.8
	0.5~5	6~30	31~120	121~320	321~1000

JFW INDUSTRIES, INC.  
 6731 N.E. 47TH PORTLAND, OREGON 97218 U.S.A.  
 E-mail: jfwvalve@comcast.net  
 Tel: 1 503 288 0673  
 Fax: 1 503 288 1075



NPS	d	G	C	D	L	H	T	f	N	M	Weight (lb)
2-1/2"	2.56	4.13	5.49	7.01	8.5	4.41	0.69	0.06	4	0.75	25.5
3"	3.15	5	6	7.48	9.49	4.88	0.75	0.06	4	0.75	32.3
4"	3.94	6.18	7.5	9.02	11.5	6.34	0.94	0.06	8	0.75	61.8
5"	4.92	7.32	8.5	10	12.99	7.09	0.94	0.06	8	0.87	82.8
6"	5.91	8.5	9.51	10.98	14.02	8.07	1	0.06	8	0.87	103.7
8"	7.87	10.63	11.75	13.5	19.49	9.29	1.13	0.06	8	0.87	167.6

unit:in



ITEM	PARTS	MATERIAL	
1	BODY	ASTM A351-CF8M	ASTM A351-CF8
2	DISC	ASTM A351-CF8M	ASTM A351-CF8
3	NUT	SUS 316	SUS 304
4	WASHER	SUS 304	
5	ARM HINGE	ASTM A351-CF8M	ASTM A351-CF8
6	HINGE PIN	SUS 316	SUS 304
7	GASKET	PTFE / 304+GRAPHITE	
8	BONNET	ASTM A351-CF8M	ASTM A351-CF8
9	SPRING WASHER	SUS 304	
10	BOLT	SUS 304	
11	BOLT	SUS 304	
12	PIN	SUS 304	

\* 8" UP GASKET: 304+GRAPHITE

- FEATURES :
- Face to face dimension : ASME B16.10
  - End flange dimensions : ASME B16.5
  - Design : ASME B16.34
  - Test : API 598
  - Investment casting body

SIZE	Cv (USgal/min)
2-1/2"	108
3"	149
4"	280
5"	378
6"	480
8"	770

JFW INDUSTRIES, INC.

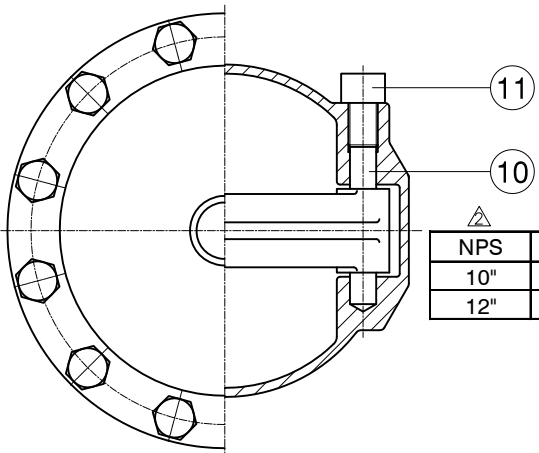
CHECK BY	DRAWING BY	DATE	SPECIFICATION	Flanged End Swing Check Valve Class 150
	Ray	Mar.26.2020	MATERIAL	CF8M/CF8
			PROCESS/Nr.	
			UNIT / SCALE	mm

△			
△	Remove DN dimension & add Cv value	03/26/2020	Yuan
△	Revise drawings	03/02/2020	Ray
Revise	Description	Date	Approve
DRAWING NO. <b>SC-150</b>			

Ra	0.2	1.6	6.3	25
	▽▽▽	▽▽	▽	▽
JIS				

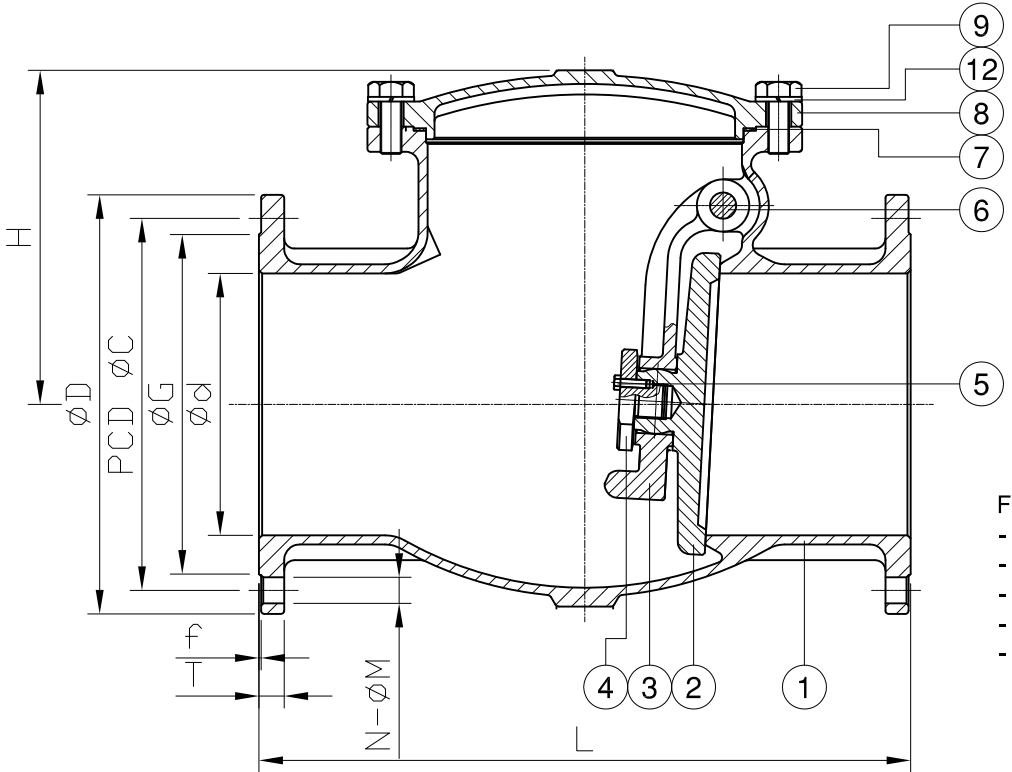
±0.1	±0.2
±0.3	±0.5
±0.8	
0.5~5	6~30
31~120	121~320
321~1000	
GENERAL TOLERANCE	

JFW INDUSTRIES, INC.  
 6731 N.E. 47TH PORTLAND, OREGON 97218 U.S.A.  
 E-mail: jfwvalve@comcast.net  
 Tel: 1 503 288 0673  
 Fax: 1 503 288 1075



NPS	d	G	C	D	L	H	T	f	N	M	Weight (lb)
10"	9.84	12.76	14.25	15.98	24.49	11.89	1.19	0.06	12	0.98	295.9
12"	11.81	15	17.01	19.02	27.48	13.39	1.25	0.06	12	0.98	430.8

unit:in



ITEM	PARTS	MATERIAL	
1	BODY	ASTM A351-CF8M	ASTM A351-CF8
2	DISC		
3	ARM HINGE		
4	DISC CAP	SUS 304	
5	BOLT	SUS 304	
6	HINGE PIN	SUS 316	SUS 304
7	GASKET	304+GRAPHITE	
8	BONNET	ASTM A351-CF8M	ASTM A351-CF8
9	BOLT	SUS 304	
10	PLUG	SUS 316	
11	BOLT	SUS 304	
12	SPRING WASHER	SUS 304	

- FEATURES :
- Face to face dimension : ASME B16.10
  - End flange dimensions : ASME B16.5
  - Design : ASME B16.34
  - Test : API 598
  - Investment casting body

SIZE	Cv (USgal/min)
10"	1300
12"	1678

△			
△	Remove DN dimension & add Cv value	03/26/2020	Yuan
△	Revise drawings	03/02/2020	Ray
Revise	Description	Date	Approve

JFW INDUSTRIES, INC.

CHECK BY	DRAWING BY	DATE	SPECIFICATION	Flanged End Swing Check Valve Class 150
	Ray	Mar.26.2020	MATERIAL	CF8M/CF8
			PROCESS/Nr.	
			UNIT / SCALE	mm

DRAWING NO. **SC-150**