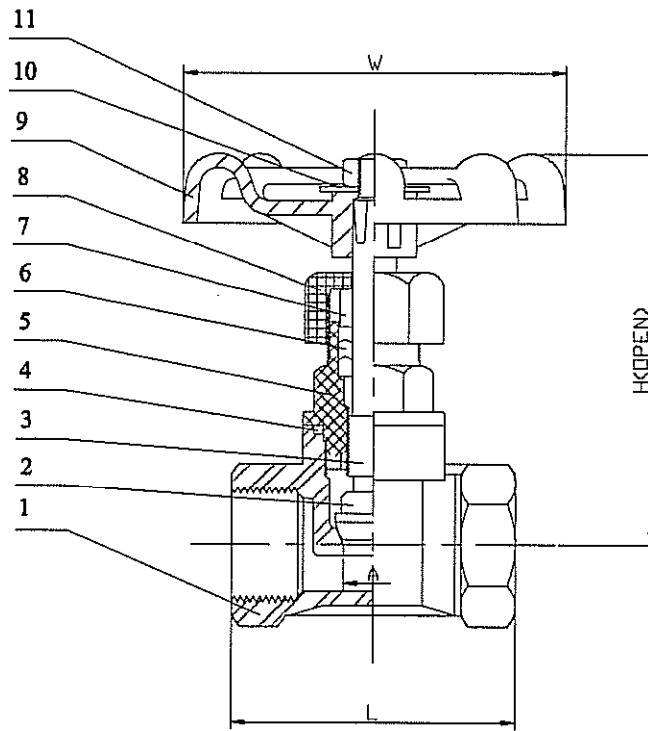


REVISE	DATE	APPROVED	REVISE	DATE	APPROVED



SIZE	1/4"	3/8"	1/2"	3/4"	1"	1-1/4"	1-1/2"	2"
A	0.47	0.47	0.47	0.59	0.79	0.98	1.26	1.57
H(OPEN)	3.03	3.03	3.11	3.58	4.13	5.00	5.59	6.22
L	2.05	2.05	2.05	2.36	2.83	3.19	3.54	3.98
W	2.76	2.76	2.76	2.76	3.15	3.15	3.54	3.94

NO.	DESCRIPTION	MATERIAL	QTY
1	BODY	CF8M	1
2	DISC	SUS316	1
3	STEM	SUS316	1
4	GASKET	TEFLON	1
5	BONNET	CF8M	1
6	STEM PACKING	TEFLON	1
7	GLAND	SUS304	1
8	GLAND NUT	CF8M	1
9	HANDLEWHEEL	MICO STEEL	1
10	NAME PLATE	ALUMINUM	1
11	HANDLEWHEEL NUT	SUS304	1

TOLERANCE						FIG NO.	GB-200
0.02~0.24	0.24~1.18	1.18~4.72	4.72~12.4	12.4~39.37	39.37~	DESCRIPTION	
±0.004	±0.008	±0.01	±0.02	±0.03	±0.05	GLOBE ASSEMBLY	
APPROVED BY		DRAWN BY		MATERIAL		J.F.W. INDUSTRIES, INC.	
		TED					
		6,8,'01		SCALE:FREE			