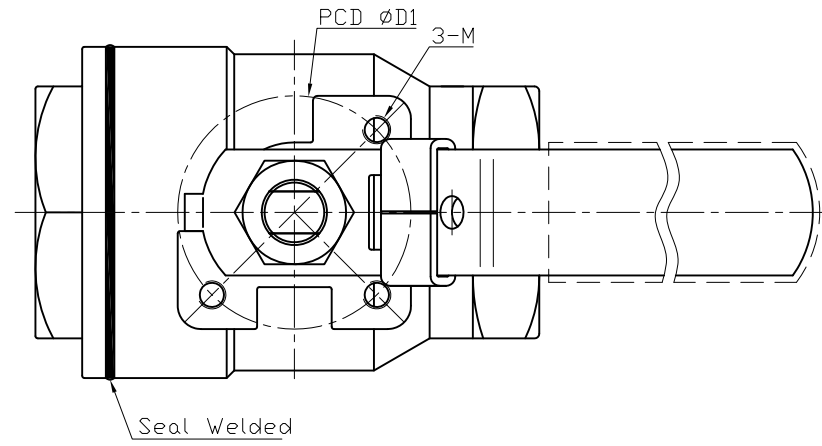


Ra	0.2	JIS
	1.6	
	6.3	
	25	

± 0.1	0.5~5
± 0.2	6~30
± 0.3	31~120
± 0.5	121~320
± 0.8	321~1000

JFW INDUSTRIES, INC.
 6731 N.E. 47TH PORTLAND, OREGON 97218 U.S.A.
 E-mail: jfwvalve@comcast.net
 Tel: 1 503 288 0673
 Fax: 1 503 288 1075

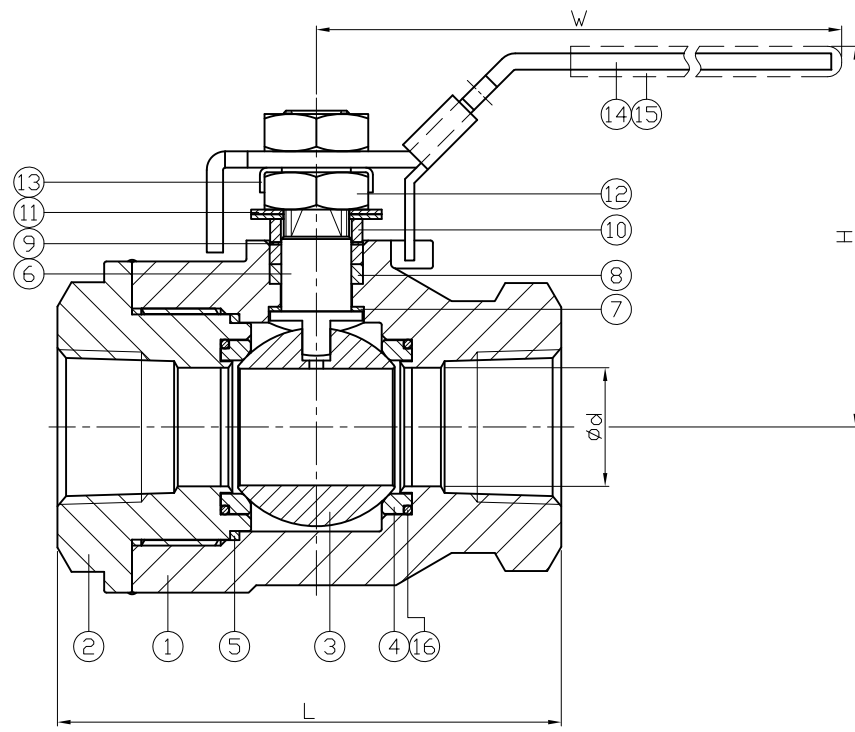


△ Fire Safe Certified to API 607

NPS	d	L	H	W	D1	M	Torque (in-lb)	Weight (lb)
1-1/4"	1.26	4.72	3.43	6.56	1.97	M6	380.6	8.2

unit:in

SIZE	Cv (USgal/min)
1-1/4"	185



ITEM	PART NAME	MATERIAL
1	BODY	ASTM A351-CF8M
2	CAP	
3	BALL	17-4PH
4	SEAT	PEEK
5	SEAL	GRAPHITE
6	STEM	17-4PH
7	THRUST WASHER	CTFE
8	PACKING A	GRAPHITE
9	PACKING B	CTFE
10	GLAND	AISI 304
11	BELLEVILLE WASHER	AISI 301
12	STEM NUT	AISI 304
13	LOCK WASHER	
14	HANDLE	STAINLESS STEEL
15	HANDLE SLEEVE	PVC
16	O-RING	VITON

△ FEATURES:
 - NACE MR0175.

△	Remove DN dimension & add Cv Value	03/26/2020	Yuan
△	Add weight & torque	03/04/2020	Ray
△	Add features	06/30/2017	Ray
△	Add API 607 fire safe certified	03/06/2017	Ray
Revise	Description	Date	Approve

JFW INDUSTRIES, INC.

CHECK BY	DRAWING BY	DATE	SPECIFICATION	2-PC Screwed End Ball Valve 6000 WOG
	Ray	Mar.26.2020	MATERIAL	CF8M
			PROCESS/Nr.	
			UNIT / SCALE	mm

DRAWING NO. **BV-6M**