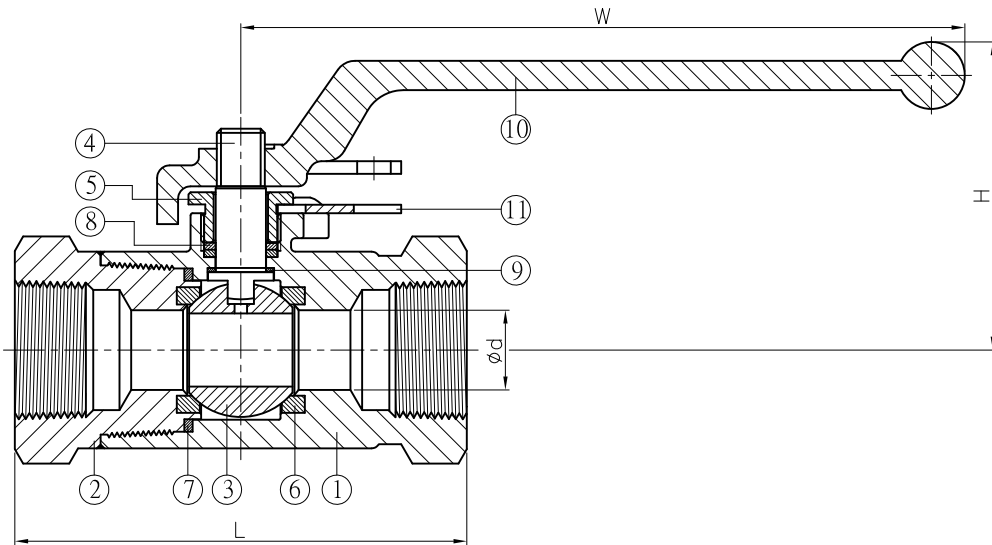


3600 WOG	NPS	d	B	C	L	H	W	M	ISO 5211	Torque (in-lb)	Weight (lb)
	1/4" F	0.25	1.26	1.54	3	2.23	5.59	M5*P0.8	F03	84.1	1.5
3/8" S	0.25	1.26	1.54	3	2.23	5.59	M5*P0.8	F03	84.1	1.5	
1/2" F	0.5	1.26	1.54	4	2.23	5.59	M5*P0.8	F03	84.1	1.8	
3/4" F	0.75	1.85	1.85	4.25	3	6.81	M5*P0.8	F04	247.8	2.9	
1" S	0.75	1.85	1.85	4.25	3	6.81	M5*P0.8	F04	247.8	2.9	
1-1/2" F	1.5	3.03	3.39	5.28	4.61	9.74	M8*P1.25	F07	469.1	10.8	
2" S	1.5	3.23	3.39	6.22	4.61	9.74	M8*P1.25	F07	469.1	11.9	

F: Full Port S: Standard Port

unit:in

Fire Safe Certified to API 607



ITEM	PARTS	MATERIAL
1	BODY	ASTM A351-CF8M
2	CAP	
3	BALL	17-4PH
4	STEM	
5	GLAND NUT	AISI 304
6	SEAT	PEEK
7	SEAL	GRAPHITE
8	PACKING	
9	THRUST WASHER	CTFE
10	HANDLE	AISI 304
11	LOCK PAD	

SIZE	Cv (gallon/min)
1/4" F	7
3/8" S	7
1/2" F	26
3/4" F	61
1" S	64
1-1/2" F	262
2" S	268

FEATURES:
- NACE MR0175.

Symbol	Description	Date	Approve
△	Remove DN dimension & revise material, weight & add dimension, CV	08/10/2022	Ray
△	Add features	06/30/2017	Ray
△	Add Cv	03/03/2016	Ray
△	Revise material	02/25/2016	Ray
Revise	Description	Date	Approve

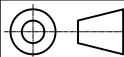
DRAWING NO.

BV-3M

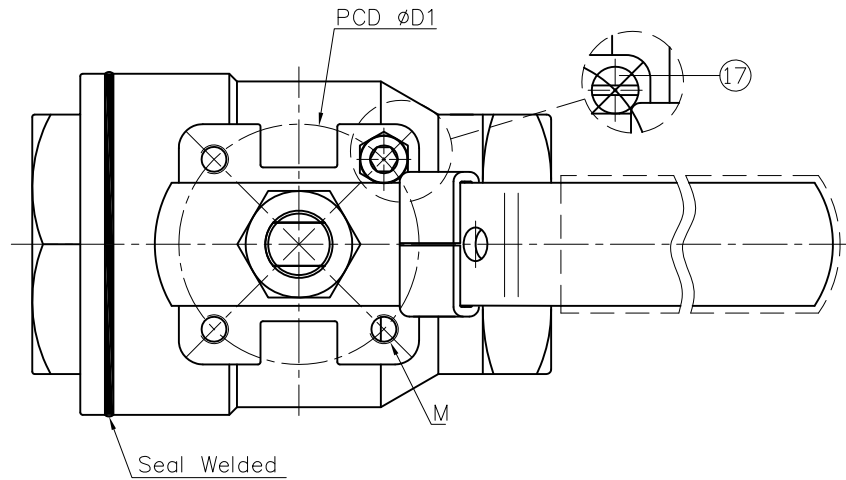
JFW INDUSTRIES, INC.
6731 N.E. 47TH PORTLAND, OREGON 97218 U.S.A.
E-mail: jfwvalve@comcast.net
Tel: 1 503 288 0673
Fax: 1 503 288 1075

JFW INDUSTRIES, INC.

CHECK BY	DRAWING BY	DATE	SPECIFICATION	2-PC Screwed End Ball Valve 3600 WOG
	<i>Yuan</i>	Aug.10.2022	MATERIAL	CF8M
			PROCESS/Nr.	
			UNIT / SCALE	mm



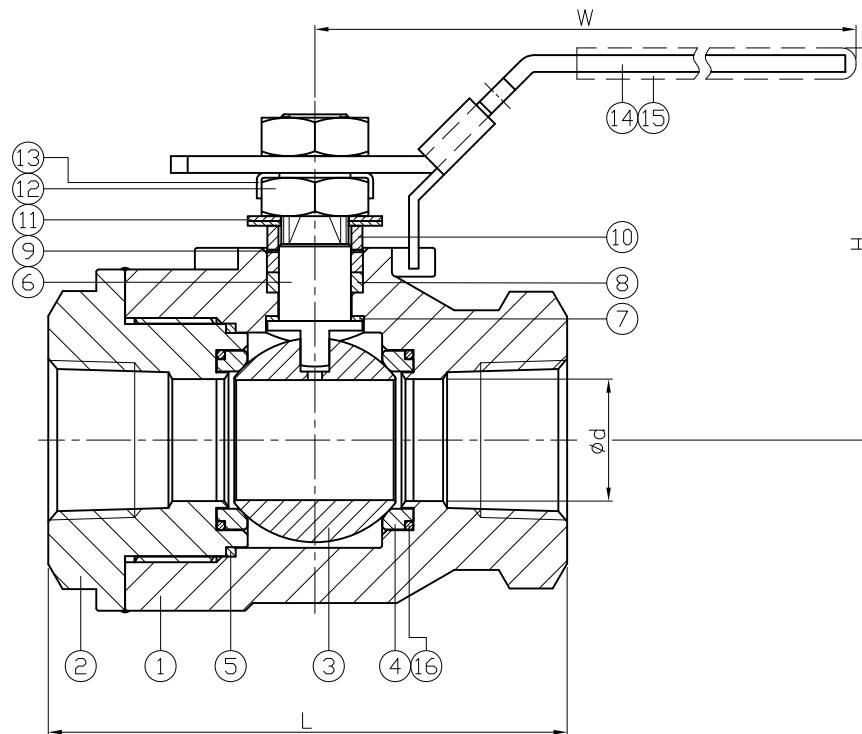
Fire Safe Certified to API 607



NPS	d	L	H	W	D1	M	Weight (lb)	Weight (lb)
1-1/4"	1.26	4.57	3.37	6.95	1.97	M6	380.6	6

unit:in

SIZE	Cv (USgal/min)
1-1/4"	185



ITEM	PART NAME	MATERIAL
1	BODY	ASTM A351-CF8M
2	CAP	
3	BALL	17-4PH
4	SEAT	PEEK
5	SEAL	GRAPHITE
6	STEM	17-4PH
7	THRUST WASHER	CTFE
8	PACKING A	GRAPHITE
9	PACKING B	CTFE
10	GLAND	AISI 304
11	BELLEVILLE WASHER	AISI 301
12	STEM NUT	AISI 304
13	LOCK WASHER	
14	HANDLE	STAINLESS STEEL
15	HANDLE SLEEVE	PVC
16	O-RING	VITON
17	STOP PIN	AISI 304

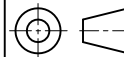
FEATURES:
- NACE MR0175.

Remove DN dimension & add Cv Value	03/26/2020	Yuan
Add weight & torque	03/04/2020	Ray
Add features	06/30/2017	Ray
Add API 607 fire safe certified	03/06/2017	Ray
Revise	Description	Date
Approve		

JFW INDUSTRIES, INC.
6731 N.E. 47TH PORTLAND, OREGON 97218 U.S.A.
E-mail: jfwvalve@comcast.net
Tel: 1 503 288 0673
Fax: 1 503 288 1075

JFW INDUSTRIES, INC.

CHECK BY	DRAWING BY	DATE	SPECIFICATION	2-PC Screwed End Ball Valve 3600 WOG
	Ray	Mar.26.2020	MATERIAL	CF8M
			PROCESS/Nr.	
			UNIT / SCALE	mm



DRAWING NO.

BV-3M