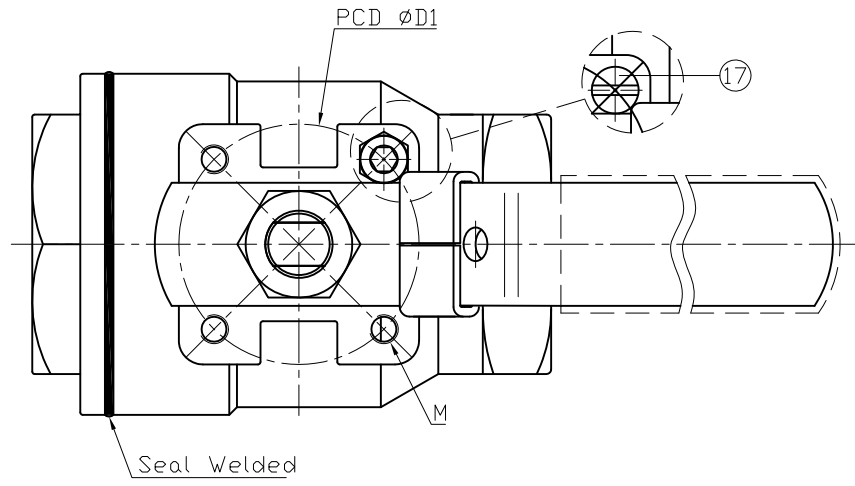


Ra
0.2
1.6
6.3
25
JIS

± 0.1
± 0.2
± 0.3
± 0.5
± 0.8
0.5~5
6~30
31~120
121~320
321~1000
GENERAL TOLERANCE

JFW INDUSTRIES, INC.
6731 N.E. 47TH PORTLAND, OREGON 97218 U.S.A.
E-mail: jfwvalve@comcast.net
Tel: 1 503 288 0673
Fax: 1 503 288 1075



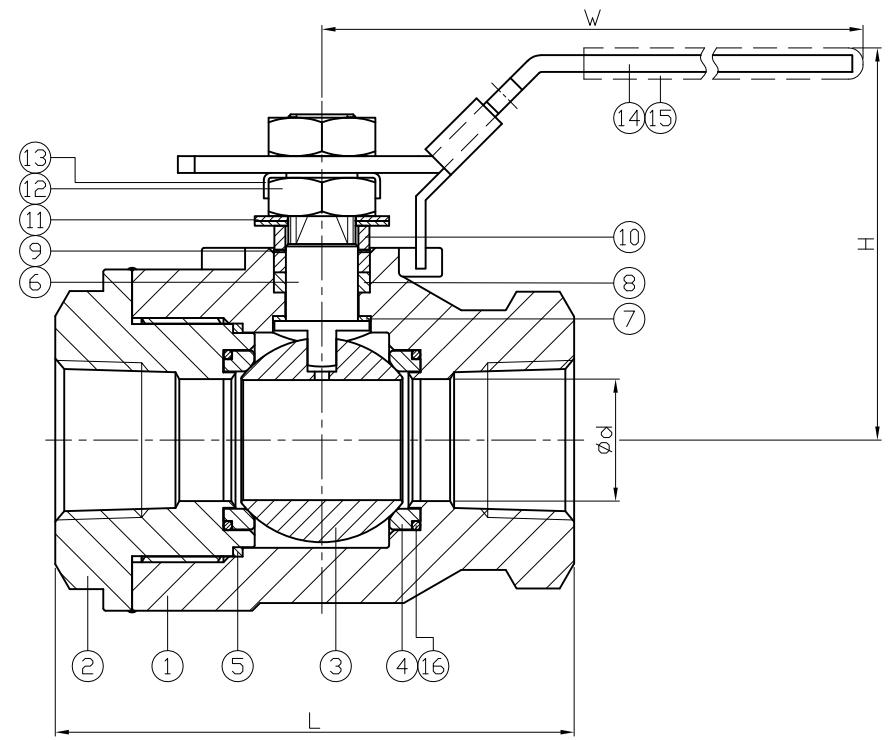
△ Fire Safe Certified to API 607

DN	d	L	H	W	D1	M
32 F	32	116	85.7	176.5	50	M6

F: Full Port unit: mm

NPS	d	L	H	W	D1	M
1-1/4" F	1.26	4.57	3.37	6.95	1.97	M6

F: Full Port unit:in



ITEM	PART NAME	MATERIAL
1	BODY	ASTM A351-CF8M
2	CAP	
3	BALL	17-4PH
4	SEAT	PEEK
5	SEAL	GRAPHITE
6	STEM	17-4PH
7	THRUST WASHER	CTFE
8	PACKING A	GRAPHITE
9	PACKING B	CTFE
10	GLAND	AISI 304
11	BELLEVILLE WASHER	AISI 301
12	STEM NUT	AISI 304
13	LOCK WASHER	
14	HANDLE	STAINLESS STEEL
15	HANDLE SLEEVE	PVC
16	O-RING	VITON
17	STOP PIN	AISI 304

△ FEATURES:
- NACE MR0175.

△			
△	Add features	06/30/2017	Ray
△	Add API 607 fire safe certified	03/06/2017	Ray
Revise	Description	Date	Approve

JFW INDUSTRIES, INC.

CHECK BY	DRAWING BY	DATE	SPECIFICATION	2-PC Screwed End Ball Valve 3600 WOG
	<i>Yuan</i>	Jun.30.2017	MATERIAL	CF8M
			PROCESS/Nr.	
			UNIT / SCALE	mm

DRAWING NO. **BV-3M -17A**