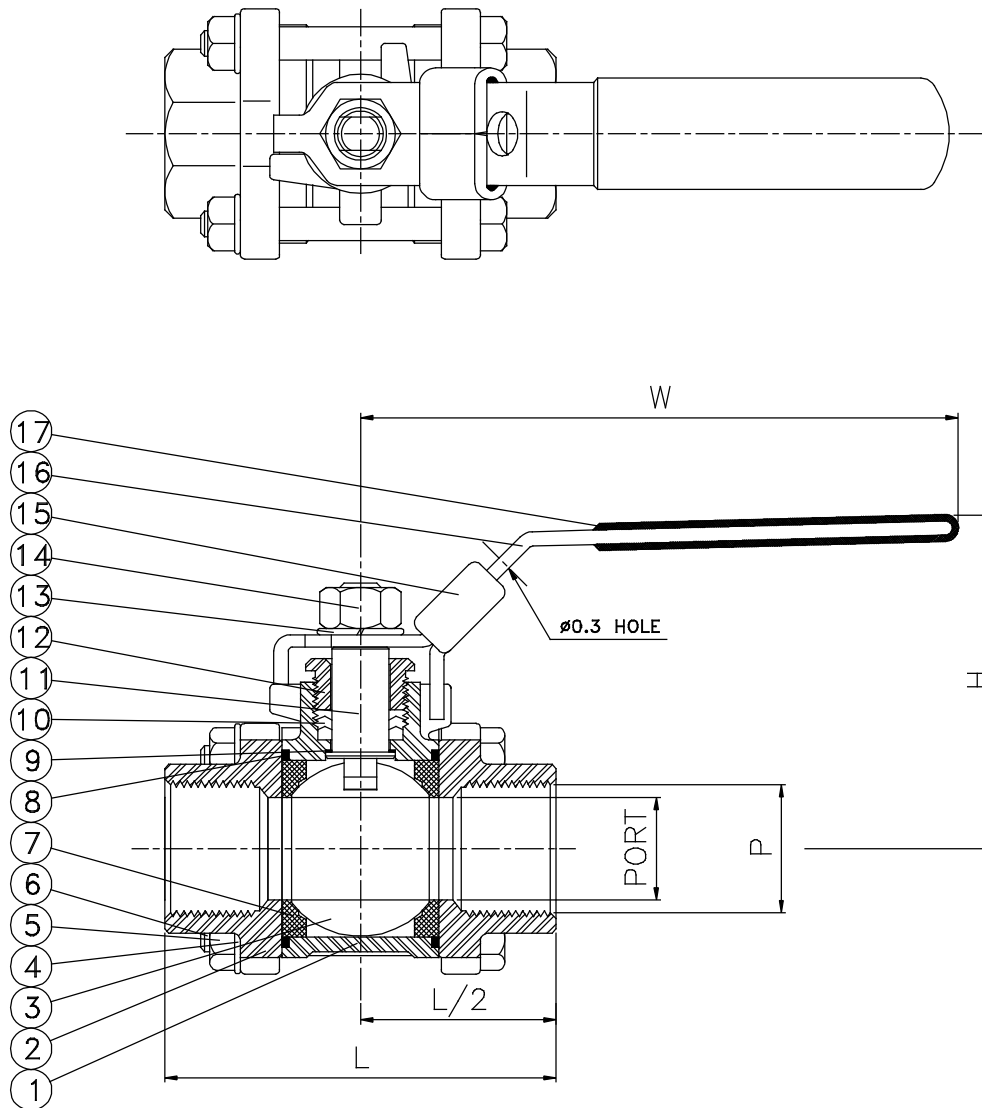


MATERIALS LIST

No.	DESCRIPTION	SPECIFICATION
1.	BODY	ASTM A-351 GRADE CF8M
2.	END CAP	ASTM A-351 GRADE CF8M
3.	BALL	ASTM A-351 GRADE CF8M
4.	BOLT WASHER	SS304
5.	BOLT NUT	SS304
6.	BOLT	SS304
7.	SEAT RING	RTFE
8.	BODY SEAL	PTFE(C15%)
9.	THRUST WASHER	PTFE
10.	STEM SEAL	PTFE
11.	STEM	SS316
12.	GLAND NUT	SS304
13.	HANDLE WASHER	SS304
14.	HANDLE NUT	SS304
15.	LOCKING PAD	SS304 (OPTION)
16.	HANDLE	SS304
17.	HANDLE COVER	PLASTIC



DIMENSIONS (INCH)

SIZE	PORT	L	H	W	P
1/4"	0.44	2.36	1.97	3.74	1/4" PF or NPT
3/8"	0.49	2.36	1.97	3.74	3/8" PF or NPT
1/2"	0.63	2.95	2.40	5.00	1/2" PF or NPT
3/4"	0.79	3.15	2.52	5.00	3/4" PF or NPT
1"	0.98	3.54	3.27	5.63	1" PF or NPT
1-1/4"	1.26	4.33	3.35	5.63	1-1/4" PF or NPT
1-1/2"	1.50	4.72	3.94	7.99	1-1/2" PF or NPT
2"	2.00	5.51	4.13	7.99	2" PF or NPT
2-1/2"	2.56	7.28	5.71	9.84	2-1/2" PF or NPT
3"	3.15	8.07	6.34	9.84	3" PF or NPT
4"	3.94	9.45	7.09	11.42	4" PF or NPT

* LENGTH ACCORDING TO DIN3202-M3

JFW.IND,INC

REVISION	DESCRIPTION				DATE	APPROVED BY
UNIT	VL-501T 3PC BALL VALVE				DRAWING No./PARTS No.	
TREATMENT	1000 WOG (CWP) ,THREADED				VL-501T-FS	
DRAWN BY	SU-TIEN	SCALE	FREE	PART No.		
APPROVED BY		DATE	01.01,1994	MATERIAL		