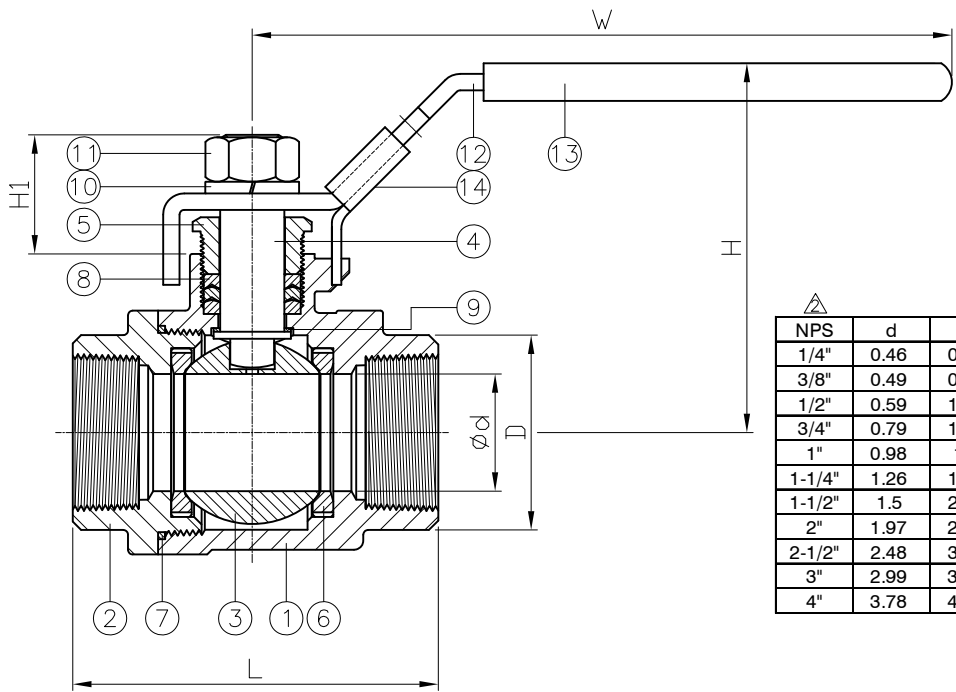


SIZE	Cv (gallon/min)
1/4"	22
3/8"	25
1/2"	37
3/4"	68
1"	109
1-1/4"	185
1-1/2"	268
2"	486
2-1/2"	791
3"	1150
4"	1892

ITEM	PARTS	MATERIAL
1	BODY	ASTM A351-CF8M
2	CAP	
3	BALL	
4	STEM	ASTM A276-316
5	GLAND	AISI 304
6	SEAT	PTFE / RTFE
7	SEAL	PTFE
8	PACKING	
9	THRUST WASHER	AISI 304
10	SPRING WASHER	
11	NUT	
12	HANDLE	STAINLESS STEEL
13	HANDLE SLEEVE	PVC
14	LOCK DEVICE	STAINLESS STEEL



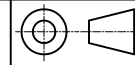
NPS	d	D	L	H	H1	W	E	N	P	M	Torque (in-lb)	Weight (lb)
1/4"	0.46	0.75	2	2.3	0.73	3.92	1.12	0.5	3/8"-24UNF	3/16"	31	0.5
3/8"	0.49	0.89	2	2.3	0.73	3.92	1.12	0.5	3/8"-24UNF	3/16"	35.4	0.5
1/2"	0.59	1.02	2.28	2.38	0.74	3.92	1.12	0.5	3/8"-24UNF	3/16"	48.7	0.7
3/4"	0.79	1.26	2.58	2.48	0.92	4.84	1.12	0.5	7/16"-20UNF	3/16"	66.4	1
1"	0.98	1.5	3.1	3.13	1.03	5.87	1.38	0.88	7/16"-20UNF	3/16"	97.4	1.7
1-1/4"	1.26	1.89	3.54	3.39	0.93	5.87	1.38	0.88	7/16"-20UNF	1/4"	132.8	2.5
1-1/2"	1.5	2.16	4.13	4	1.11	7.48	1.5	0.91	1/2"-20UNF	1/4"	177	3.9
2"	1.97	2.64	4.88	4.3	1.11	7.48	1.5	0.91	1/2"-20UNF	1/4"	354	5.9
2-1/2"	2.48	3.35	5.75	5.51	1.55	9.72	1.97	1.14	3/4"-10UNC	1/4"	531	12.4
3"	2.99	3.94	6.43	5.85	1.55	9.72	2.2	1.38	3/4"-10UNC	1/4"	752.3	16.5
4"	3.78	4.96	9.45	7.01	1.69	11.69	2.2	1.97	3/4"-16UNC	1/4"	796.6	36.2

unit:in

JFW INDUSTRIES, INC.
 6731 N.E. 47TH PORTLAND, OREGON 97218 U.S.A.
 E-mail: jfwvalve@comcast.net
 Tel: 1 503 288 0673
 Fax: 1 503 288 1075

JFW INDUSTRIES, INC.

CHECK BY	DRAWING BY	DATE	SPECIFICATION	2-PC Screwed End Ball Valve 1000 WOG
	<i>Yuan</i>	Aug.10.2022	MATERIAL	CF8M
			PROCESS/Nr.	
			UNIT / SCALE	mm



△			
△	Revise drawing & dimension & weight & Cv, remove DN dimension	08/10/2022	Ray
△	Add Cv	03/03/2016	Ray
Revise	Description	Date	Approve
DRAWING NO.		BV-002-E	