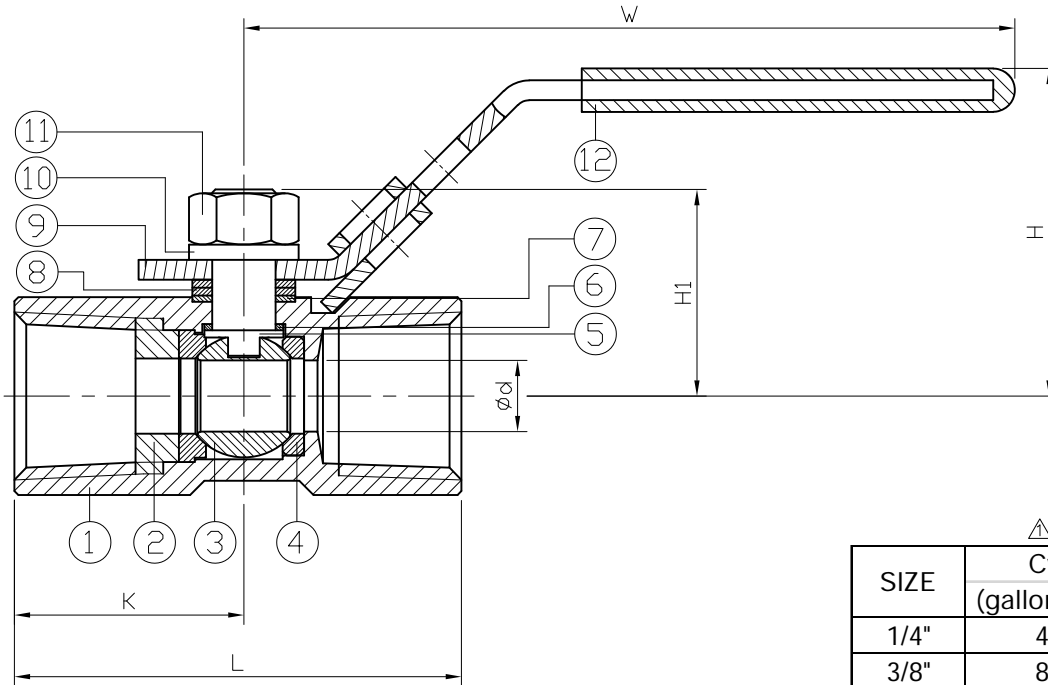


DN	d	L	H	H1	T	W	K	Torque (N-m)	Weight (kg)
8	5	39	38	17	3	61.7	20	0.8	0.1
10	7	44	41.1	21.4	4	73.5	23	1	0.1
15	9	56.5	40.6	26.1	5	94.7	29	1.2	0.2
20	12.5	59	44.1	28.8	5	94.7	29	1.8	0.3
25	15	71	56.5	36.5	6	112	35	3	0.4

unit:mm

NPS	d	L	H	H1	T	W	K	Torque (in-lb)	Weight (lb)
1/4"	0.2	1.54	1.5	0.67	0.12	2.43	0.79	7.1	0.2
3/8"	0.28	1.73	1.62	0.84	0.16	2.89	0.91	8.9	0.2
1/2"	0.35	2.22	1.6	1.03	0.2	3.73	1.14	10.6	0.4
3/4"	0.49	2.32	1.74	1.13	0.2	3.73	1.14	15.9	0.7
1"	0.59	2.8	2.22	1.44	0.24	4.39	1.38	25.7	0.9

unit:in



ITEM	PARTS	MATERIAL
1	BODY	ASTM A351-CF8M
2	RETAINER	
3	BALL	
4	BALL SEAT	RTFE
5	STEM	ASTM A276-316
6	THRUST WASHER	PTFE
7	PACKING	
8	FALT WASHER	AISI 304
9	HANDLE	STAINLESS STEEL
10	SPRING WASHER	AISI 304
11	NUT	
12	HANDLE SLEEVE	PVC

SIZE	Cv
	(gallon/min)
1/4"	4
3/8"	8
1/2"	13
3/4"	26
1"	40

JFW INDUSTRIES, INC.
 6731 N.E. 47TH PORTLAND, OREGON 97218 U.S.A.
 E-mail: jfwvalve@comcast.net
 Tel: 1 503 288 0673
 Fax: 1 503 288 1075

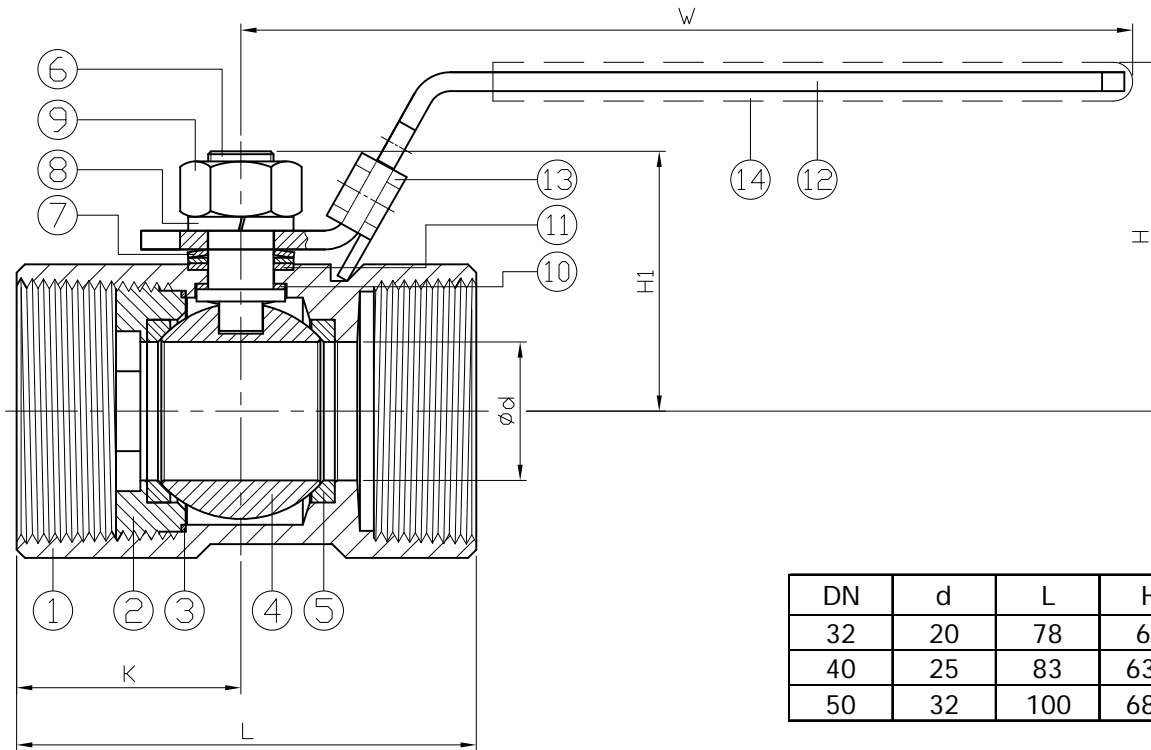
JFW INDUSTRIES, INC.

CHECK BY	DRAWING BY	DATE	SPECIFICATION	1-PC Screwed End Ball Valve 1000 WOG
	<i>Sammy</i>	Mar.03.2016	MATERIAL	CF8M
			PROCESS/Nr.	
			UNIT / SCALE	mm

△			
△			
△	Add Cv	03/03/2016	Ray
Revise	Description	Date	Approve
DRAWING NO.		-16	

BV-001

JFW INDUSTRIES, INC.
 6731 N.E. 47TH PORTLAND, OREGON 97218 U.S.A.
 E-mail: jfwvalve@comcast.net
 Tel: 1 503 288 0673
 Fax: 1 503 288 1075



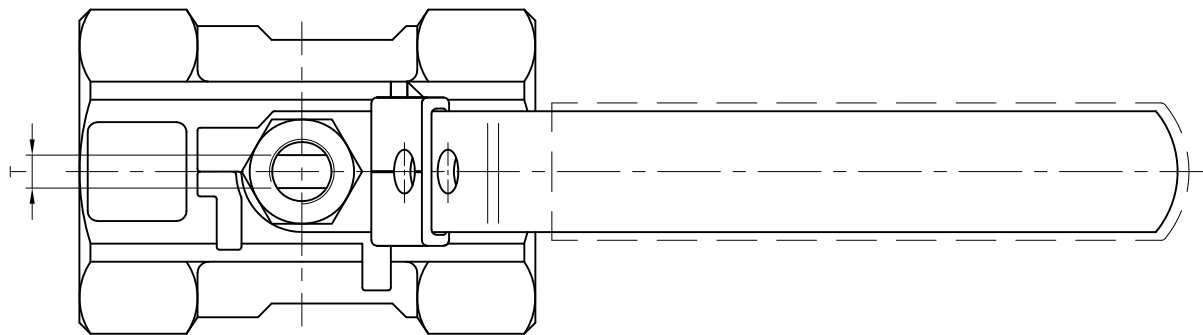
ITEM	PARTS	MATERIAL
1	BODY	ASTM A351-CF8M
2	RETAINER	
3	SEAL	PTFE
4	BALL	ASTM A351-CF8M
5	SEAT	RTFE
6	STEM	ASTM A276-316
7	FLAT WASHER	AISI 304
8	SPRING WASHER	
9	STEM NUT	
10	THRUST WASHER	PTFE
11	PACKING	STAINLESS STEEL
12	HANDLE	
13	LATCH LOCK	PVC
14	HANDLE SLEEVE	

DN	d	L	H	H1	W	T	K	Torque (N-m)	Weight (kg)
32	20	78	62	40.5	112.5	6	38	4.9	0.7
40	25	83	63.2	46.5	160	8	40.5	7.4	0.9
50	32	100	68.5	51	160.5	8	49	8.8	1.4

unit:mm

NPS	d	L	H	H1	W	T	K	Torque (in-lb)	Weight (lb)
1-1/4"	0.79	3.07	2.44	1.59	4.43	0.24	1.5	43.4	1.5
1-1/2"	0.98	3.27	2.49	1.83	6.3	0.31	1.59	65.1	2
2"	1.26	3.94	2.7	2.01	6.32	0.31	1.93	78.1	3.1

unit:in

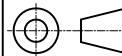


SIZE	Cv (gallon/min)
1-1/4"	73
1-1/2"	114
2"	199

△			
△			
△	Add Cv	03/11/2016	Ray
Revise	Description	Date	Approve
DRAWING NO.		-16	

JFW INDUSTRIES, INC.

CHECK BY	DRAWING BY	DATE	SPECIFICATION	1-PC Screwed End Ball Valve 1000 WOG
	<i>Sammy</i>	Mar.11.2016	MATERIAL	CF8M
			PROCESS/Nr.	
			UNIT / SCALE	mm



BV-001